

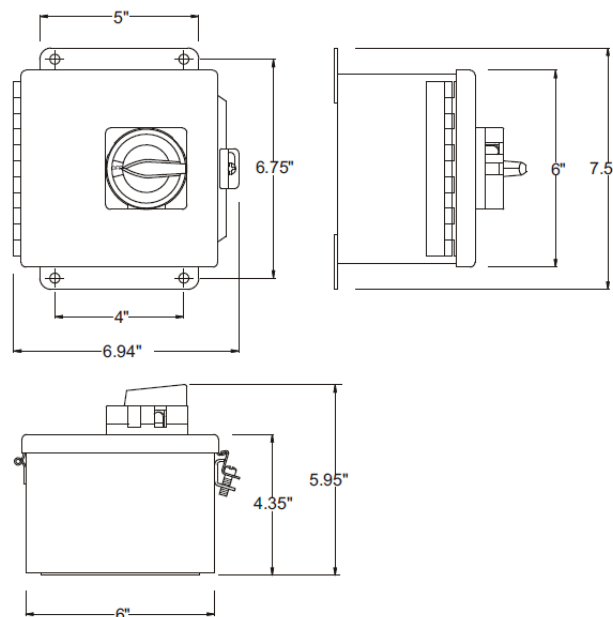
MENNEKES  
 Electrical Products  
 277 Fairfield Road  
 Fairfield, NJ 07004  
 800-882-7584  
 www.MENNEKES.com

### ST STAINLESS DISCONNECT SWITCH

<b>Part No.</b>	ME 30ST2A-M2
<b>Description:</b>	30 Amp 3Ø 600Vac Motor Disconnect with Early Break Aux Contacts - 1 N/O; 1 N/C
<b>Construction:</b>	NEMA 4X; 12
<b>Approvals:</b>	UL 508; UL 50E; and CSA C22.2 No.14-10
<b>Performance:</b>	Lock Rotor Tested 10kAIC with 80A RK1 Fuse Suitable as Motor Disconnect Per NEC 430-109 (a)(6)

**HP RATINGS:**

1 Ø		3 Ø	
240V	480/600V	240V	480/600V
3	7.5	7.5	15



Drawing Not to Scale